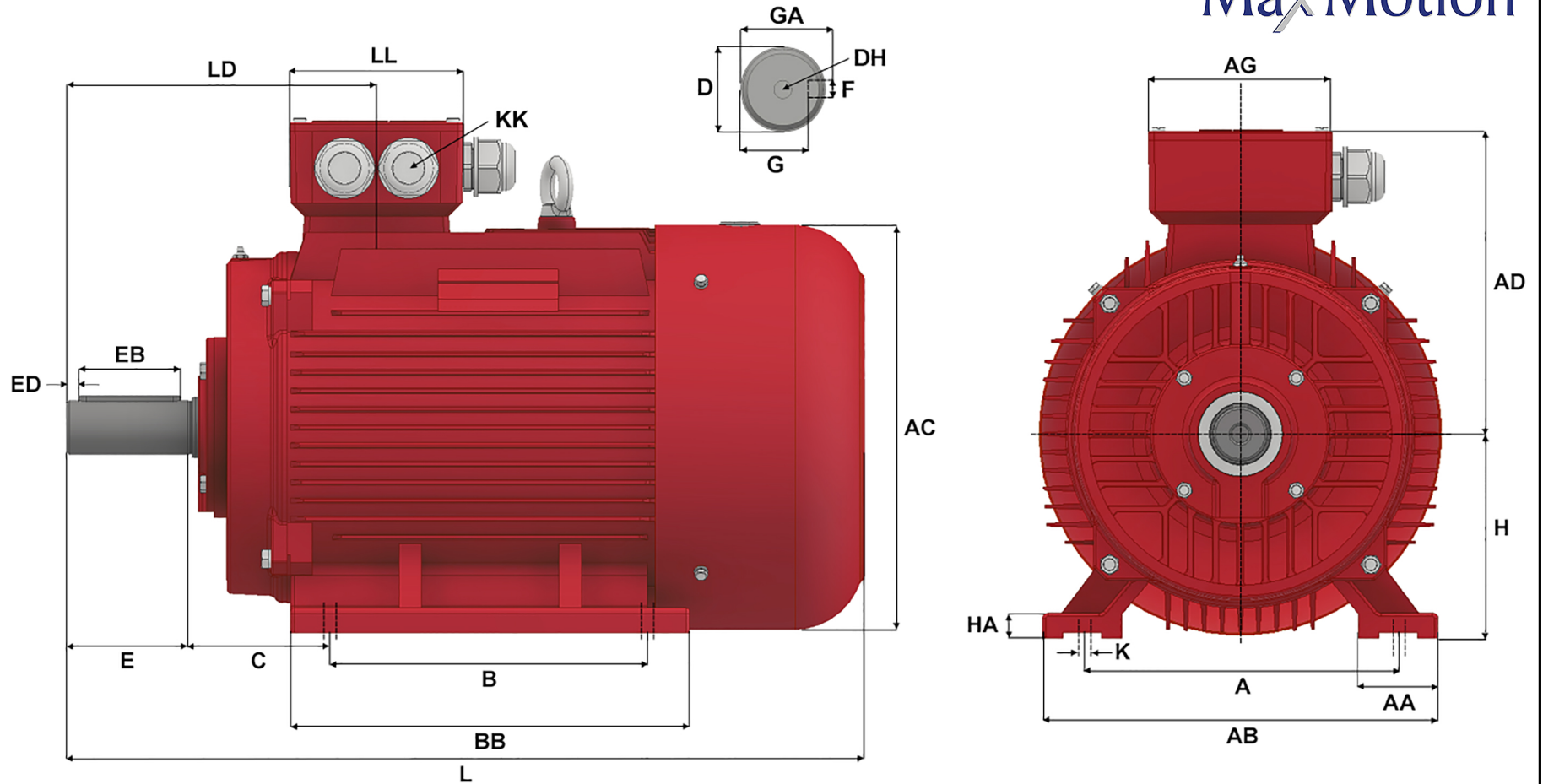


# MaxMotion



Version: 1JLEM		Revised: 09-11-2019		HP	RPM	FRAME	ENCLOSURE	IJC250M-2-B3								
Customer is responsible in determining that Max Motion product will fit/perform suitably in the intended application								75	3565	250M	TEFC					
A	B	C	D	E	F	G	H	K	L	AA	AB	AC				
406	349	168	60	140	18	53	250	4 - Ø 24	900	80	484	485				
AD	AG	BA	BB	DH	EB	ED	GA	HA	KK (1)	KK (2)	KK (3)	LD				
358	248	0	445	M20 X 42	125	7.5	64	30	M63 X 1.5	2" NPT	M16 X 1.5	347				
LL																
218																